



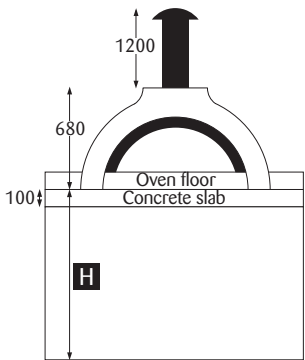
# 'The Don' café style pizza oven construction details

www.woodfiredovens.com.au

**Perth office:**

Dave Keogh  
0413 040 159  
dave@woodfiredovens.com.au

**Front view of oven on a bench**



Oven Floor is 50mm thick. Height from Ground Floor **H** to Oven Floor should ideally be bench height. Your tiles or bench top finish (such as granite) would then be level with the oven floor

**'The Don'**

**Internal dimensions of oven**

|   |                           |
|---|---------------------------|
| Length (front to back), including stainless steel floor | 1335mm                    |
| Width (left to right)                                   | 1260mm                    |
| Tiled area  | 1260mm wide x 1050mm deep |

**External dimensions of oven**

|                                  |                         |
|----------------------------------|-------------------------|
| Length (front to back)           | 1500mm                  |
| Width (left to right)            | 1600mm                  |
| Oven Height (excluding flue)     | 680mm                   |
| Length – front to main flare out | 250mm                   |
| Width – front of oven            | 1140mm                  |
| Mouth of oven                    | 535mm wide x 280mm high |
| Weight (on slab)                 | approx 1600kg           |
| Weight (without slab)            | approx 1000kg           |

**Flue details**

|                             |        |
|-----------------------------|--------|
| Flue Height                 | 1200mm |
| Flue Diameter               | 150mm  |
| Centre of flue (from front) | 270mm  |

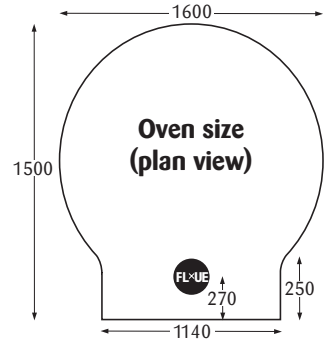
**Ovens supplied on a slab**

A concrete slab is supplied for ovens to be delivered pre-manufactured. The oven sits edge to edge on the slab so the size of the slab will be the same size as the oven, i.e. 1500mm x 1600mm, as above.

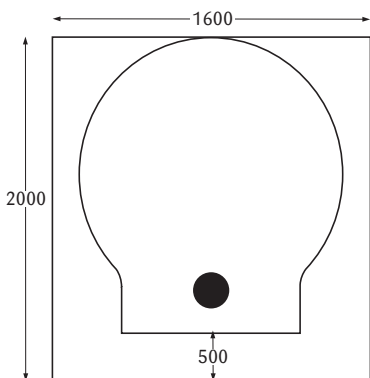
|                |       |
|----------------|-------|
| Slab thickness | 100mm |
|----------------|-------|

**Ovens not supplied on a slab (ie installed on site) – important note**

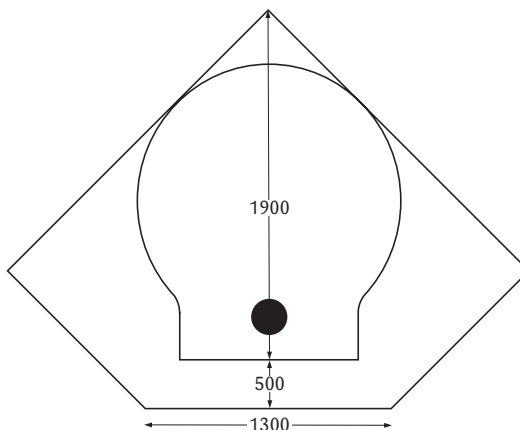
A reinforced concrete slab (100mm thick) will need to be poured by the base builder to support at least 1000kg. The slab is built to a level just below the top of the brick work. This recess will effectively allow you to lay tiles level with the oven floor making it easier for trays to slide out. If a recess is not available then the oven floor will sit 50mm proud of the top of the brick work to give you a step down. The formula for the recess is 50mm, less the thickness of the tiles, less 5mm (for the adhesive). See left for cross section explanation.



**Bench design example (plan view)**



**Corner design example (plan view)**



**Corner design example (plan view)**

