



www.woodfiredovens.com.au

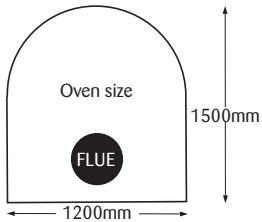
Perth office:

Dave Keogh

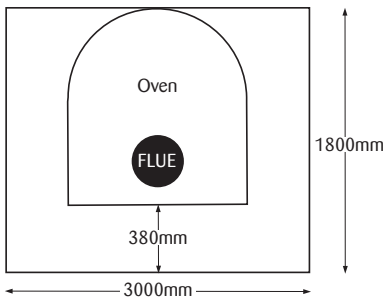
0413 040 159

lifestyle@woodfiredovens.com.au

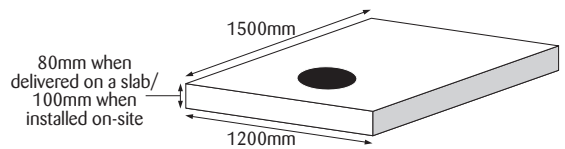
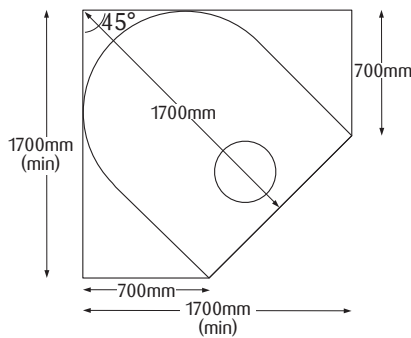
MW82c-09/10



Plan view of oven



Minimum basic corner design (plan view) with no front preparation area



Large 'Entertainer' ovens

On-site installation base construction details:

Large 'Entertainer'	
External dimensions of oven	
Length (front to back)	1500mm
Width (left to right)	1200mm
Oven Height (excluding flue)	730mm
Weight	1 tonne
Flue details	
Flue Height	900mm
Flue Extensions (if supplied)	900mm
Flue Diameter	150mm
Centre of flue (from front)	255mm
Suggested base sizes (bench designs)	
Length including prep area	1800mm
Front prep area	380mm
Width (suggested minimum)	1600mm
Width (with side prep area)	3000mm
Wood Box to suit your requirements – suggest 600mm x 600mm x 800mm deep	
Height (bench height)	900mm to 950mm

Large 'Entertainer'	
Suggested base sizes (corner designs)	
Sides (absolute minimum)	1700mm
Sides (good) – 200mm bench	2000mm
Sides (recommended) – 300mm bench	2200mm
Width off wall	700mm
Front prep area (widest point)	380mm
Wood Box to suit your requirements – suggest 600mm x 600mm x 800mm deep	
Height (bench height)	850mm to 950mm
Distance from back corner to front of oven floor	1700mm

Concrete slab – important note

A reinforced concrete slab (100mm thick) will need to be poured by the base builder to support at least 400kg (baby and family size) or 1 tonne for large size. The slab is built to a level just below the top of the brick work. This recess will effectively allow you to lay tiles with the oven floor making it easier for trays to slide out. If a recess is not available then the oven floor will sit 50mm proud of the top of the brick work to give you a step down.

Ovens delivered on a slab base construction details:

Large 'Entertainer'	
Oven sub floor	50mm
Slab	80mm
Sub floor and slab	1130mm
Bench height	900mm (or to suit)
Supporting wall for oven	780mm +/-
Finished height of oven floor on supporting wall	900mm +/-

Note: Exterior wall height to suit tile and granite thickness to match oven floor height

Shaded areas – supplied by Mediterranean Woodfired Ovens
Important: The inside wall will need to support the 1000kg weight of the oven.

